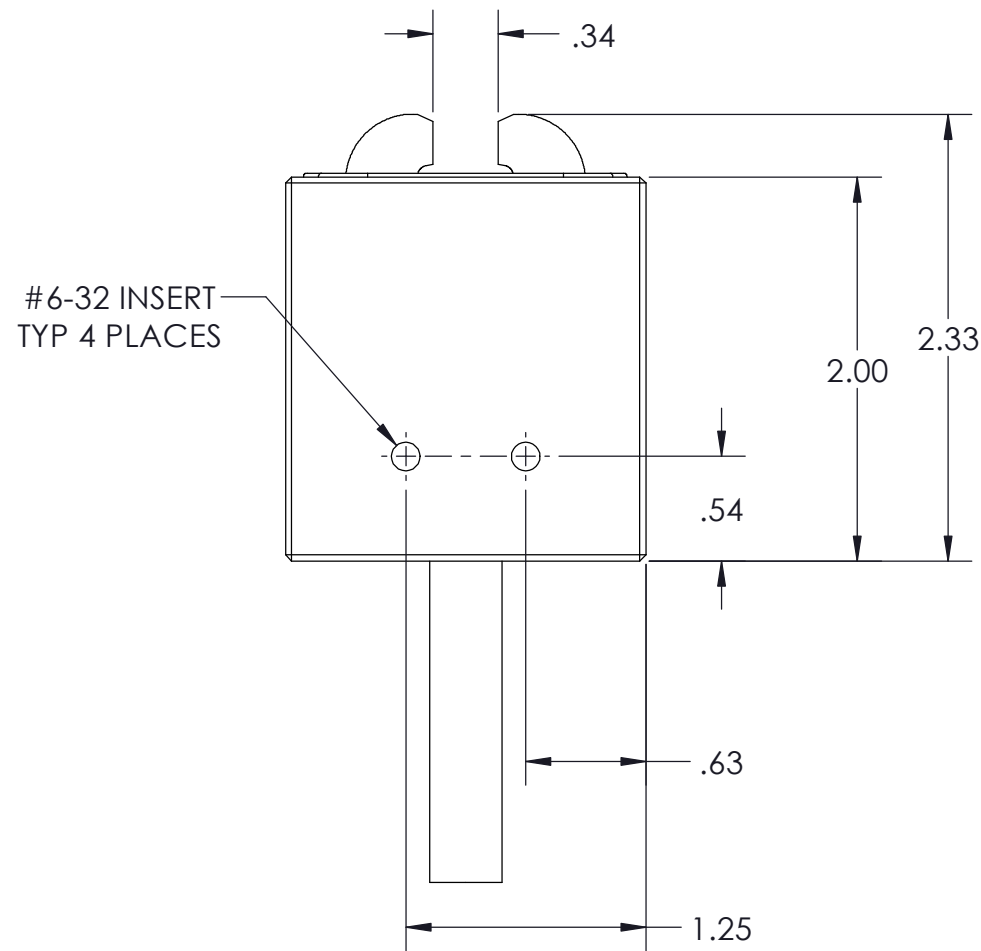
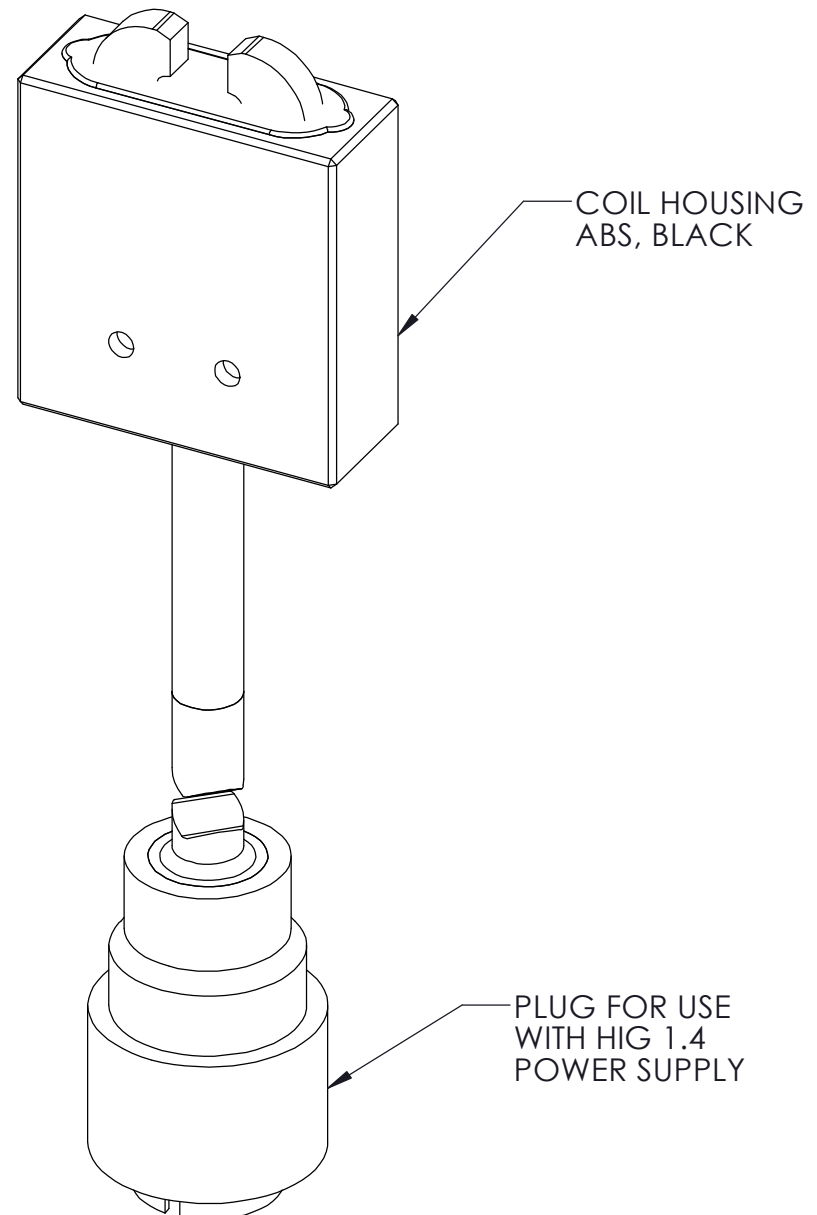
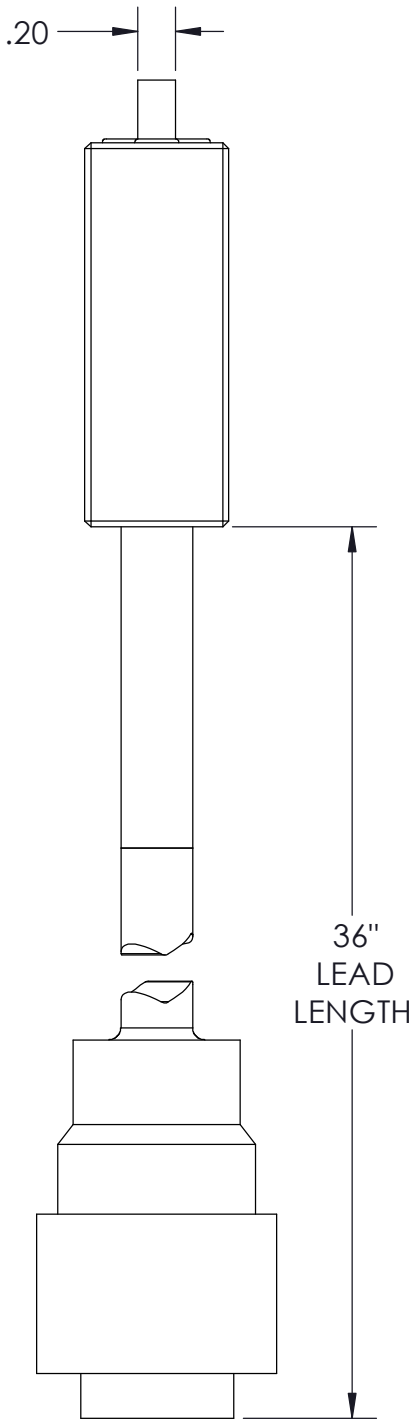
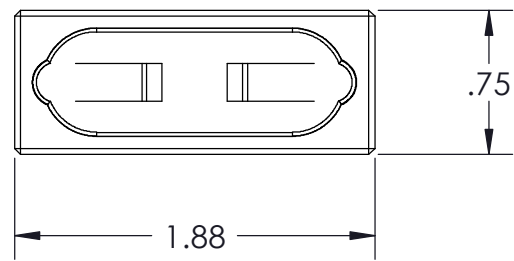



NOTES: UNLESS OTHERWISE SPECIFIED
 1. REMOVE BURRS AND BREAK SHARP EDGES TO .015 MAX.
 2. PARTS TO BE THOROUGHLY CLEANED TO REMOVE ALL OIL, GREASE, DIRT AND CHIPS.
 3. PART NUMBERS TO BE CLEARLY MARKED EITHER ON THE PART ITSELF, THE PACKAGE CONTAINING THE PART OR ON A TAG ATTACHED TO THE PART.

REVISIONS					
ECO#	BY	REV.	DESCRIPTION	DATE	APPROVED



#6-32 INSERT
 TYP 4 PLACES

SALES ENGINEER: CM	UNLESS OTHERWISE SPECIFIED:	 85 Meadowland Drive South Burlington, VT 05403 www.iTherm.com +1-802-862-9976			
DRAWN BY: CH	DIMENSIONS ARE IN INCHES				
CHECKED BY: CP	TOLERANCES ON: ANGLES: ± 1°	COL-7-001000081 CUSTOMER PRINT			
APPROVED BY: KC	FRACTIONS: ± 1/16"				
DRAWING CREATED: 9/11/2012	1 PLACE DECIMALS: ± .1 2 PLACE DECIMALS: ± .02 3 PLACE DECIMALS: ± .005 SCALE: PER VIEW				
LAST SAVED: 9/11/2012	3RD ANGLE PROJECTION	END USER NAME: MTS		JOB NUMBER: MTS	
PLOTTED: 9/11/2012	PART NUMBER: COL-7-001000120	SERIAL NUMBER: MTS	END USER NUMBER: N/A	CUSTOMER SHEET: 1 OF 1	REV. 0101 0