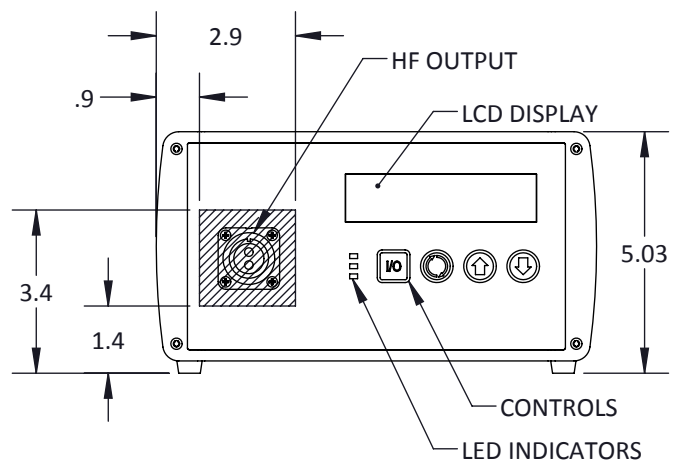
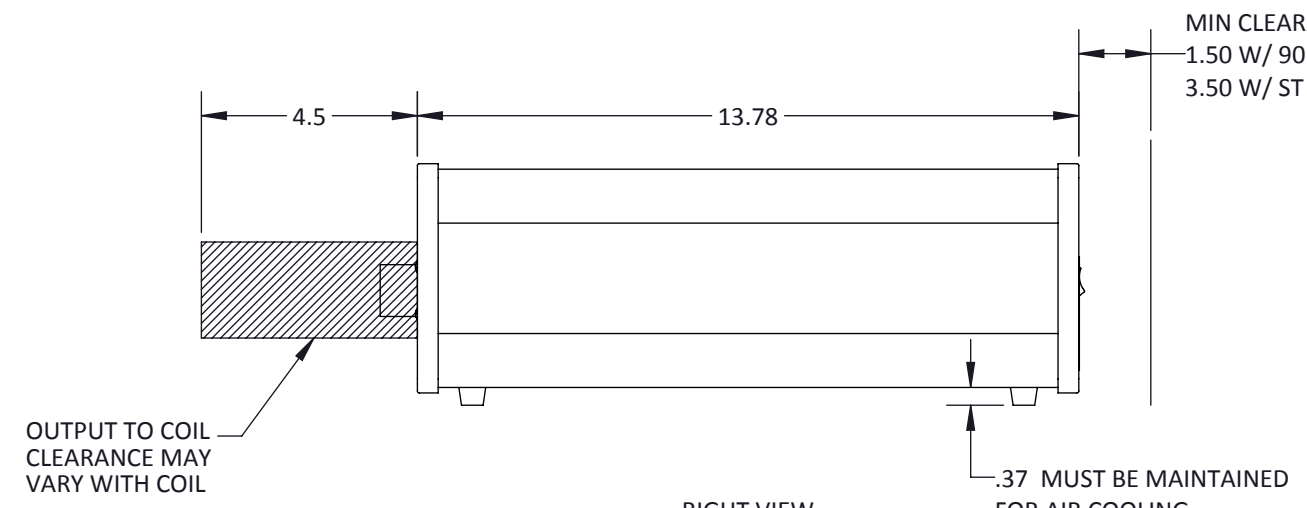


1 2 3 4 5 6 7 8 9 10 11 12 13 14 15 16

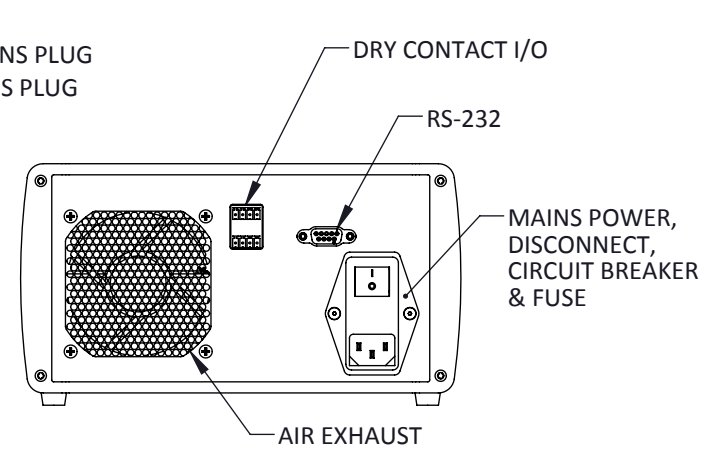
A B C D E F G H



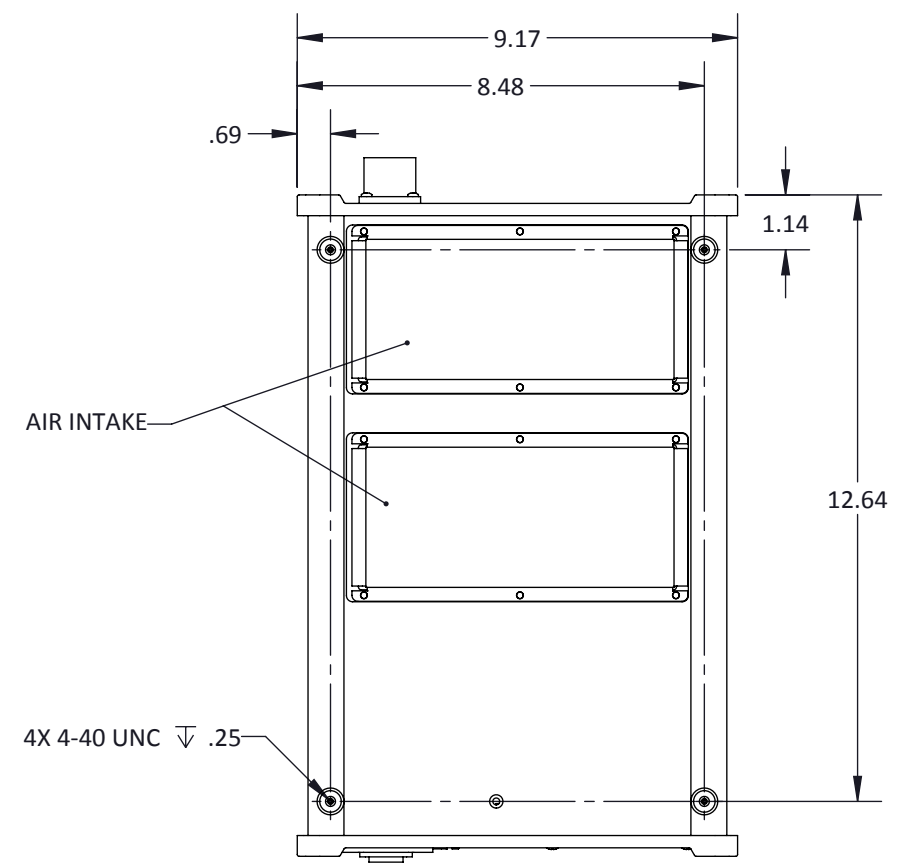
FRONT VIEW



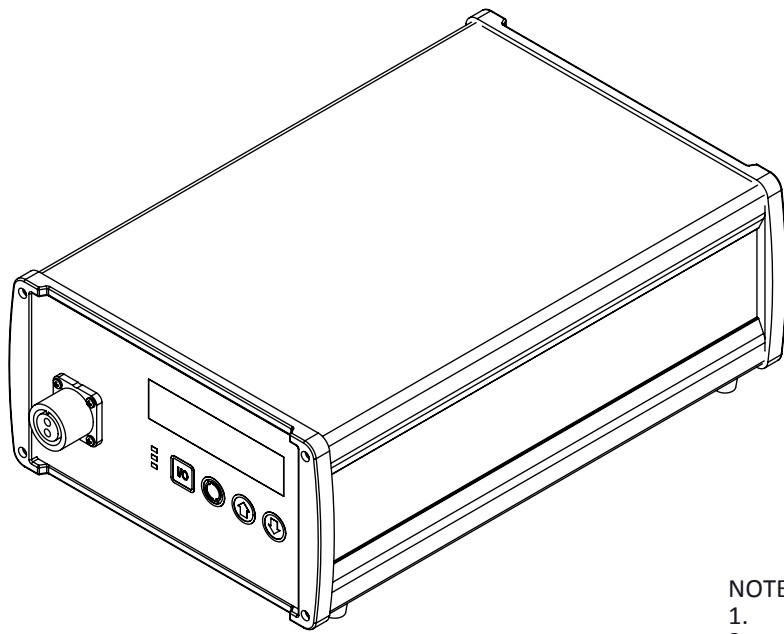
RIGHT VIEW




REAR VIEW



BOTTOM VIEW



- NOTES:
1. WEIGHT: 11 LBS
  2. HATCHED AREAS INDICATE MIN CABLE CLEARANCE
  3. AMBIENT AIR REQUIRED FOR COOLING

SALES ENGINEER: JJN	UNLESS OTHERWISE SPECIFIED:		 85 Meadowland Drive South Burlington, VT 05403 www.iTherm.com +1-802-862-9976			
DRAWN BY: CH	DIMENSIONS ARE IN INCHES					
CHECKED BY: CP	TOLERANCES ON:		<b>HFP-7-P0101A103</b> <b>ITHERM HIG 1.4-CE</b>			
APPROVED BY: KC	ANGLES: ± 1°					
DRAWING CREATED: 12/14/2011	FRACTIONS: 1/16"		<b>OVERALL VIEWS AND CLEARANCES</b>			
LAST SAVED: 12/19/2011	1 PLACE DECIMALS: ± .1					
PLOTTED: 12/19/2011	2 PLACE DECIMALS: ± .02		END USER NAME: MTS		JOB NUMBER: MTS	
	3 PLACE DECIMALS: ± .005		END USER NUMBER: N/A		CUSTOMER SHEET: 1 OF 1	
	SCALE: PER VIEW		SERIAL NUMBER: N/A		REV. 0	
	3RD ANGLE PROJECTION		END USER NUMBER: N/A		CUSTOMER SHEET: 1 OF 1	
	PART NUMBER: HFP-7-P0101A103		SERIAL NUMBER: N/A		REV. 0	

1 2 3 4 5 6 7 8 9 10 11 12 13 14 15 16